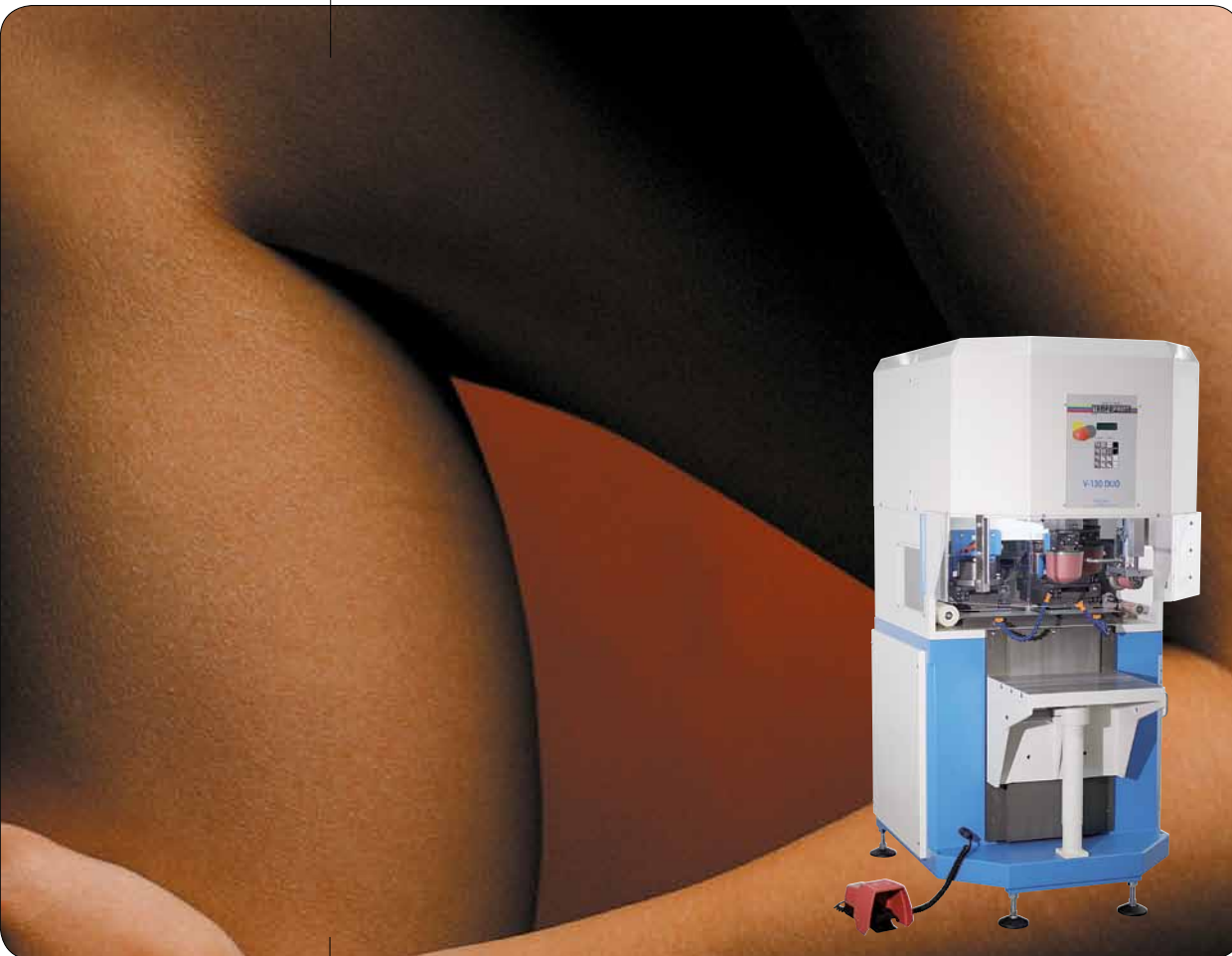


V-DUO

PAD PRINTING MACHINES



PAD PRINTING MACHINES
ACCESSORIES
SERVICE

2-colour pad printing machine

Very high registration accuracy due to one printing position for both pads

At home everywhere: stand-alone, semi-automation, fully automatic machine

ORIGINAL

TAMPOPRINT®

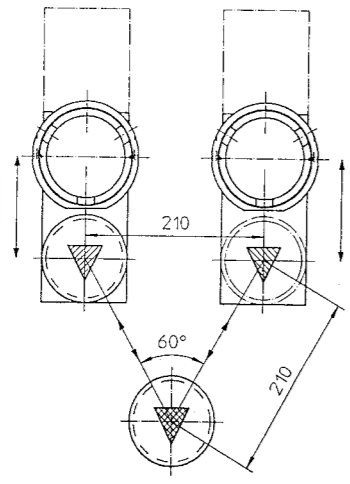
60 YEARS
1956-2016

Pad Printing Machines
ALFALAS® Laser Systems
Automations

STANDARD

V-DUO -SERIES

100%
Made in Germany
by TAMPOPRINT® AG



Very high performance.

The V-DUO series features 2-colour machines. Its unique functional principle facilitates very high performance. The V-shaped pad bridge facilitates parallel print image transfer and print image pick-up. A further benefit is the printing of both pads at one printing position, resulting in a very high register accuracy.

The combination of V principle and universal control makes it possible to fulfil practically any wish. The variety of setting options can be saved in 5 programme sequences. Each pad can be independently programmed with all functions. The function "start of production" allows actuating customer's automations. The two cliché holders are provided with an x-y-w adjustment option, an ink residue pick-up system is installed as standard.

Performance

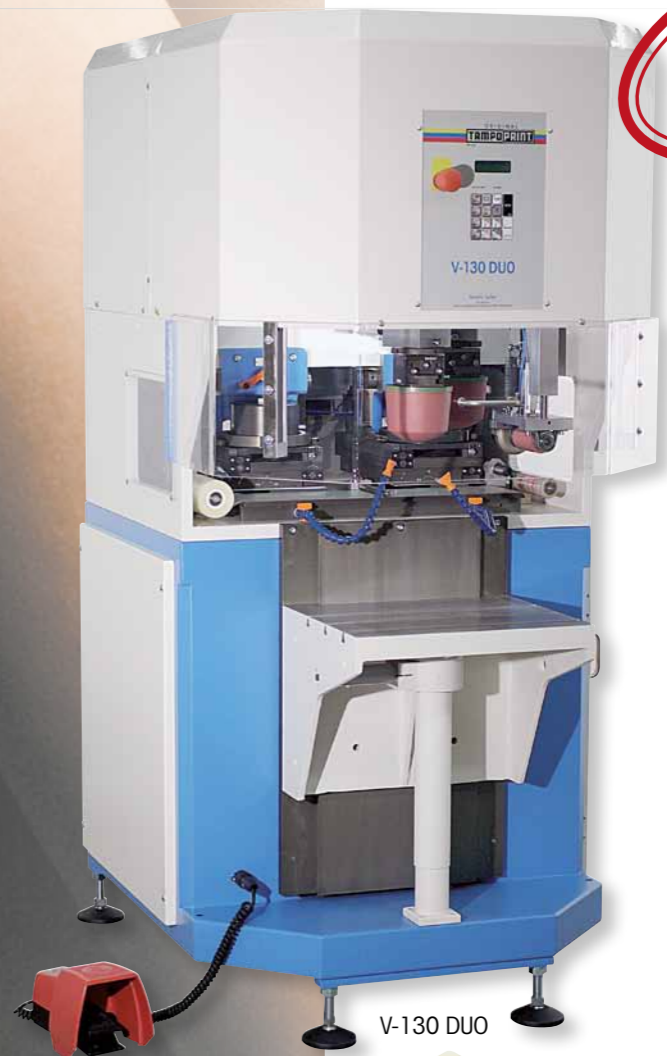
To increase performance (feeding), we recommend the addition of a rotary index table. With the implementation of our standardised MODUL 1000 the extension for a semi-automation will be achieved.

Automatisation

To allow integration into automated systems, the V-DUO series is also available as bench model (option: x-y cross table for machine adjustment).



MAGICAL TRIANGLE



V-130 DUO



V-60/90 DUO



V-60/90 DUO with rotary index table



A multi-colour thrust collar can also realise 4-colour printing, i.e. 2 ink/doctoring cups per cliché unit.

V-130 DUO Increased performance by mounting the machine to a MODUL 2000 unit

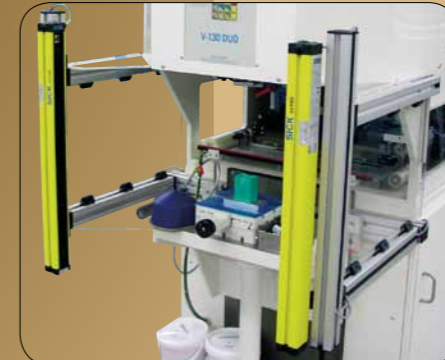
V-60/90 DUO Increased performance by mounting the machine to a MODUL 1000 unit

"T2" rotary index table for the feeding of workpieces

V-DUO principle

V-DUO with option: light curtain

V-DUO with ink residue pick-up system



V-DUO		V-60/60 DUO	V-90/90 DUO	V-130/130 DUO	V-140/140 DUO
Item No. Bench / Floor standing model		01 03 51 / 01 00 51	01 03 52 / 01 00 52	01 03 54 / 01 00 54	- / 01 00 53
Ink residue pick-up system		integrated	integrated	integrated	integrated
Single cycle		yes	yes	yes	yes
Multiple printing		yes	yes	yes	yes
Continuous run		yes	yes	yes	yes
Piece counter		yes	yes	yes	yes
Variable speed control		yes	yes	yes	yes
Cycles / hour	max.	1.300	1.200	800	800
Ink/doctoring cup size	∅ mm	60	90	130	140
Variable doctoring contact pressure		yes	yes	yes	yes
Cliché size	mm	2x 70 x 140	2x 100 x 215	2x 150 x 300	2x 150 x 300
Print image size max.	∅ mm	55	85	120	130
Variable pad stroke onto workpiece	mm	10-160 optional: 0-200	10-160 optional: 0-200	10-160 optional: 10-200	10-160 optional: 10-200
Variable pad stroke onto cliché	mm	10-130	10-130	10-100	10-100
Pad installation height max.	mm	95	95	152	152
Force of pressure	N	1.170	1.170	2.500	2.500
Drive		electropneumatic	electropneumatic	electropneumatic	electropneumatic
Connected load	kW	0,5	0,5	0,5	0,5
Power supply	V/phase	230V/1/N/PE	230V/1/N/PE	230V/1/N/PE	230V/1/N/PE
Interface		D-SUB 37-pole	D-SUB 37-pole	D-SUB 37-pole	D-SUB 37-pole
Power frequency	Hz	50-60	50-60	50-60	50-60
Control		PLC	PLC	PLC	PLC
Control voltage	V/DC	24	24	24	24
Prefuse	A	16	16	16	16
Pneumatic supply fine filter 5 µm	bar	6	6	6	6
Air consumption / cycle	NL	12	12	26	26
Width	mm	733	733	850	850
Depth	mm	820	820	1.190	1.190
Height	mm	710 / 1.550	710 / 1.550	890 / 1.750	1.750
Weight	approx. kg	160 / 280	160 / 280	400 / 550	555

Scope of supplies

- Toolkit
- Assembly table
- Pair gripping tongs
- Ink/doctoring cups
- Thrust collars
- Spray bottle, 500 ml
- Pad couplings
- Pads
- Foot switch
- Documentation

Accessories & Options

- Rotary index table T2, T4, 150 T2, 150 T4
- Vacuum distributor for rotary index table
- Manually operated indexing slide, stroke 240 mm
- Cross table V-60/90 DUO for integration in automations
- 2-colour ink/doctoring cup ∅ 90 mm
- Bench model
- Light curtain
- Special programme for sequence control (automations)
- Memory extension (jobs)
- Can be combined with MODUL 2010



TAMPOPRINT® AG

Lingwiesenstraße 1
70825 Kornthal-Münchingen, GERMANY
☎ +49 7150 928-0
Fax: +49 7150 928-400
E-Mail: info@tampoprint.de
Ventes et Affaires Françaises
☎ +49 7150 928-144
Fax: +49 7150 928-432
E-Mail: ventes@tampoprint.de
http: www.tampoprint.de

TAMPOPRINT® INTERNATIONAL CORP.

1400 26th Street, Vero Beach, FL 32960, USA
☎ +1 772 778-8896, 800 810-8896
Fax: +1 772 778-8289
E-Mail: sales@tampoprint.com
http: www.tampoprint.com

TAMPOPRINT® IBERIA S.A.U.

Polígono Industrial Martorelles,
C/ Sant Martí, s/n (entre Gorgs y Mogent)
08107 Martorelles (Barcelona), SPAIN
☎ +34 93 2327161
Fax: +34 93 2471500
E-Mail: tampoprint@tampoprint.es
http: www.tampoprint.es

ORIGINAL

TAMPOPRINT®

The reproduction of trademarks and brands used in this brochure, even if not explicitly expressed, does not justify the assumption that such names or symbols may be considered as free as defined by the Trademark Act and may therefore freely be used. The rights are the property of the respective owner.

TAMPOPRINT products are permanently updated to keep pace with the latest technological developments. For this reason, figures and descriptions are non-binding. Our machines are manufactured based on the currently valid European Machinery Directives as well as the European product standards EN 1010 - 1 and EN 1010 - 2.

Subject to alterations! ©Copyright